

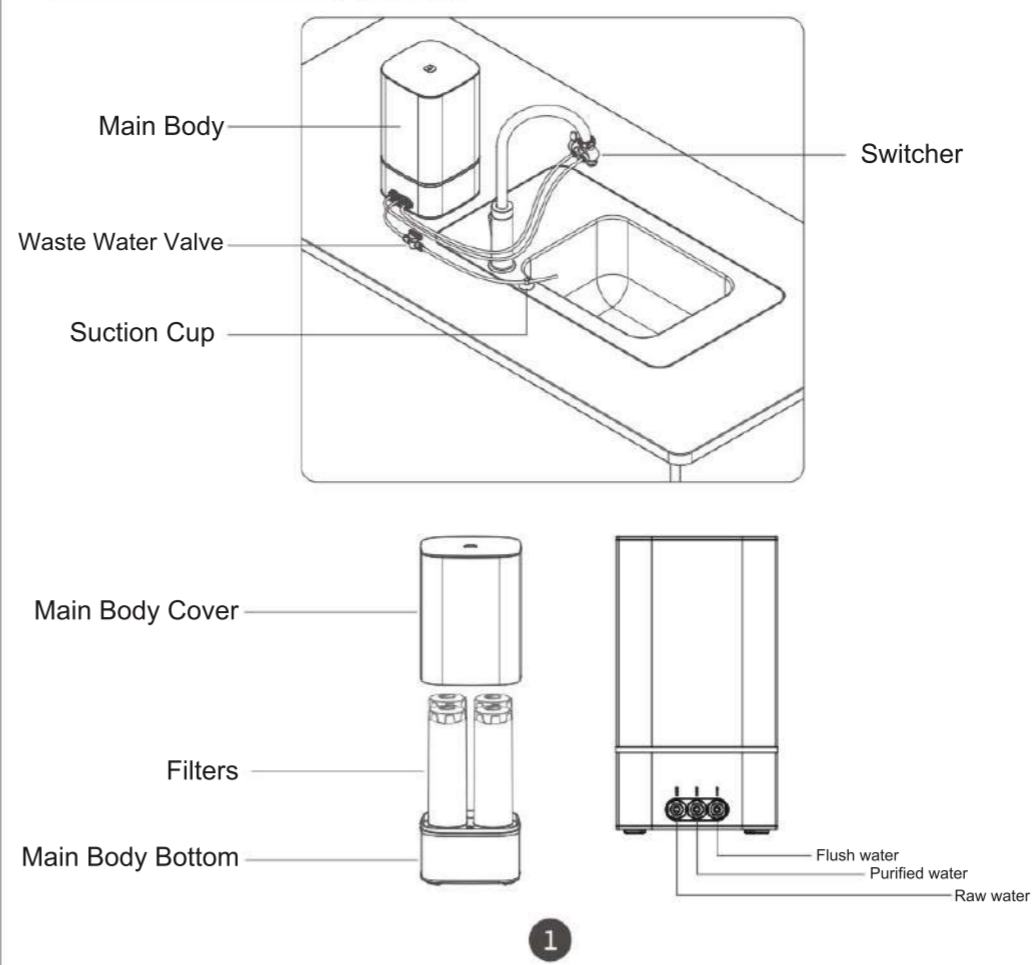
# Living Water IV

BY ECOQUEST

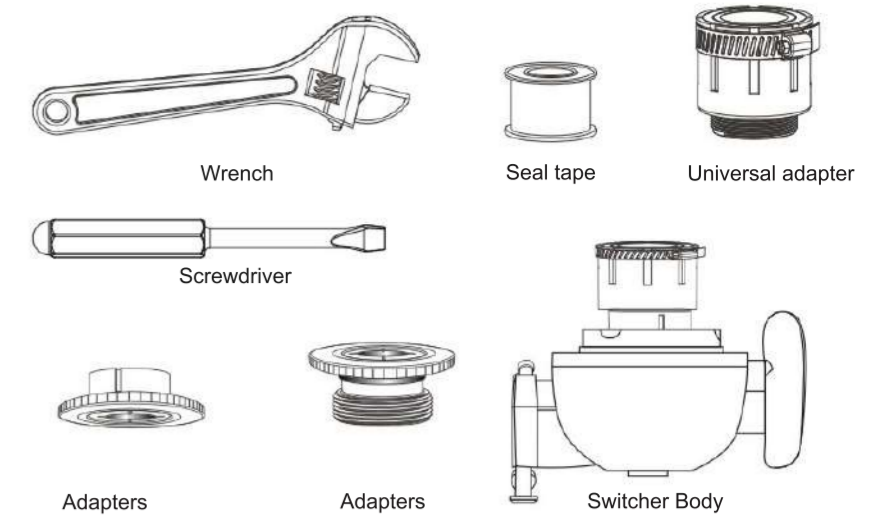
## Catalog

Overview	01
Installation Accessories	02
Switcher Overview	03
Installation	04-07
Mainbody Installation	08
Filter Replacement	09
Usage Instruction	10
Important	11
Specifications	12
Warranty	13

## Overview

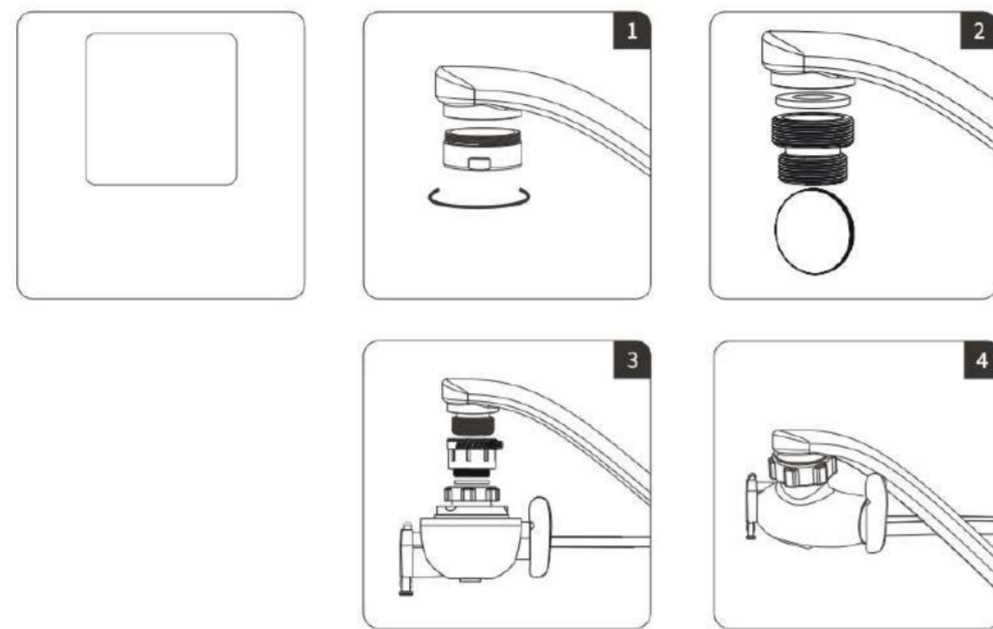


## Installation Accessories



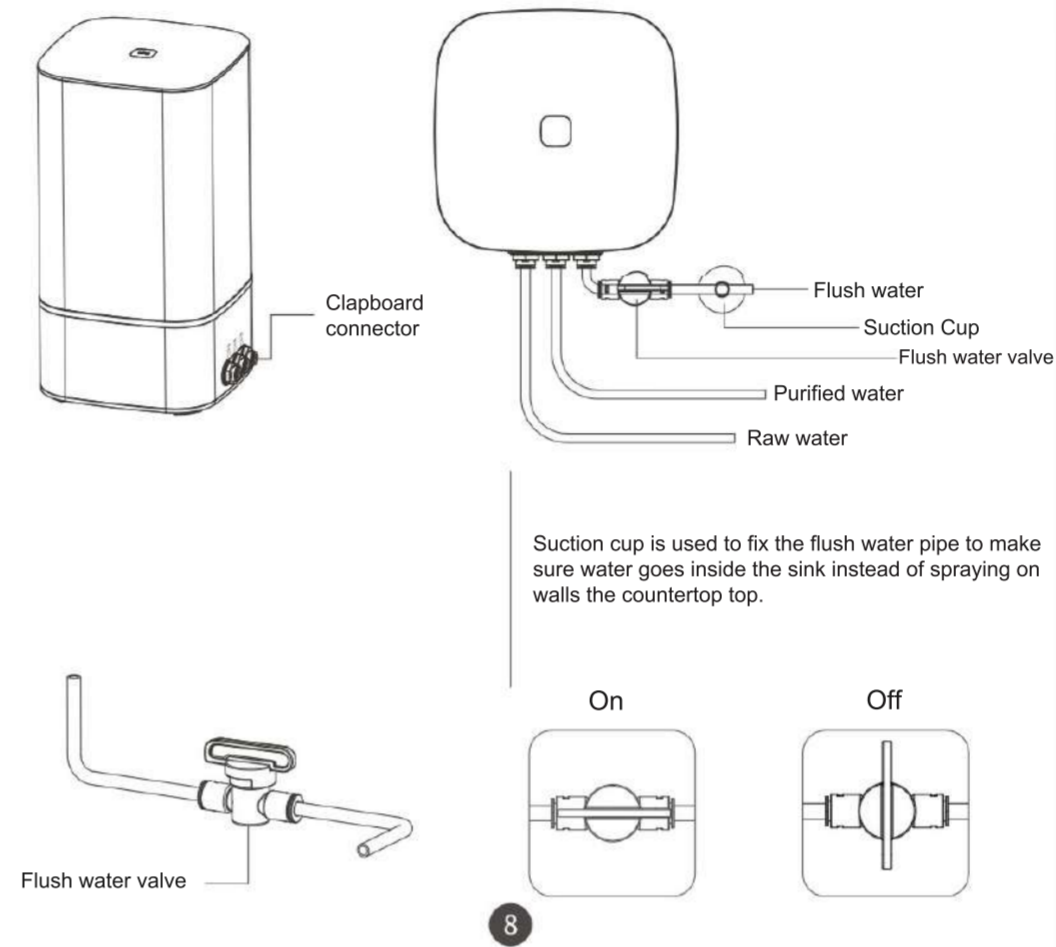
Note:  
1. You may need the wrench to take off the bubbler.  
2. You may need screwdriver to tighten the hose clamp.

## Installation

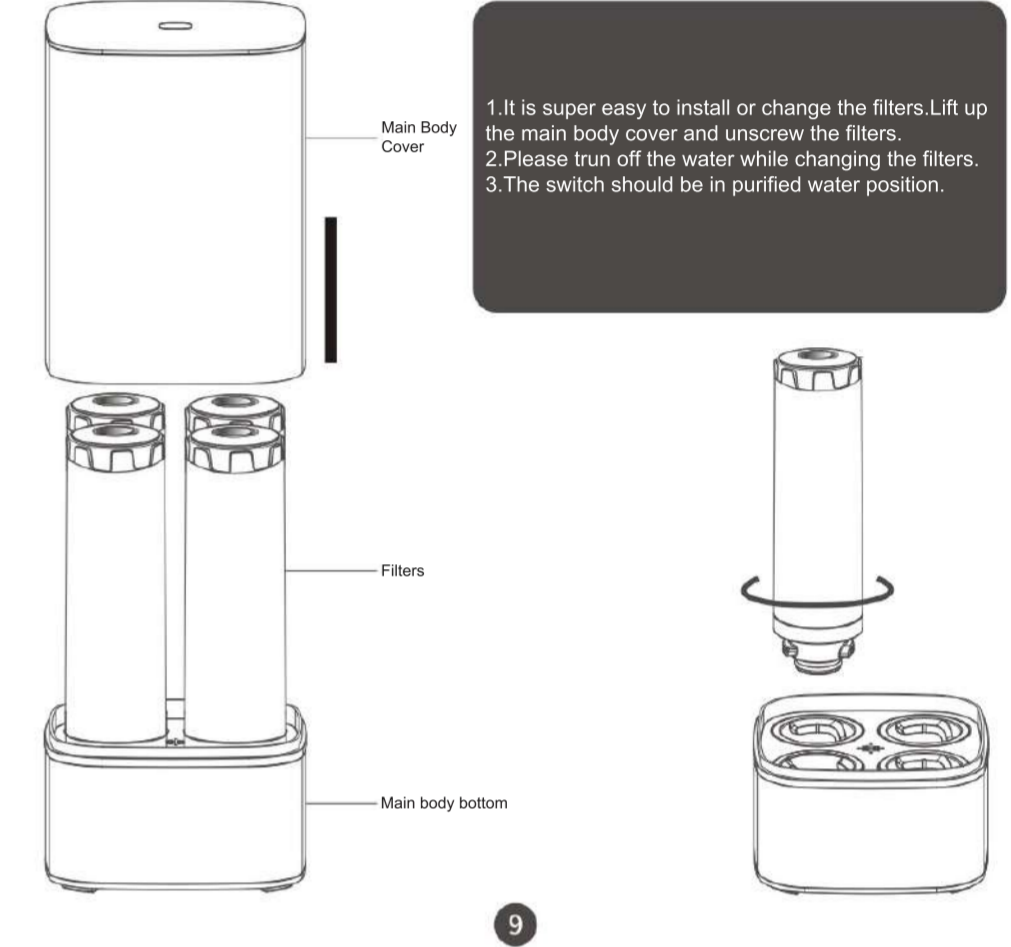


1. Take off the bubbler and keep the O-ring of the bubbler.
2. Screw in the male-male adapter with the screwdriver. (Do not forget the O-ring)
3. Install the switcher onto the male-female adapters. (Do not forget the O-ring)
4. Please check if there is any water leakage after installation.

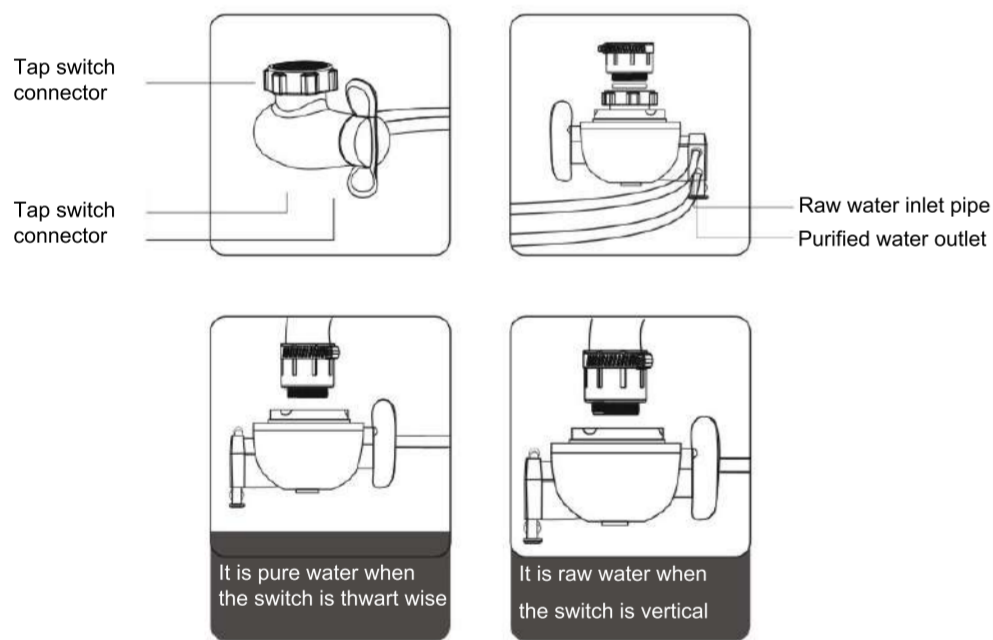
## Mainbody Installation



## Filter Replacement

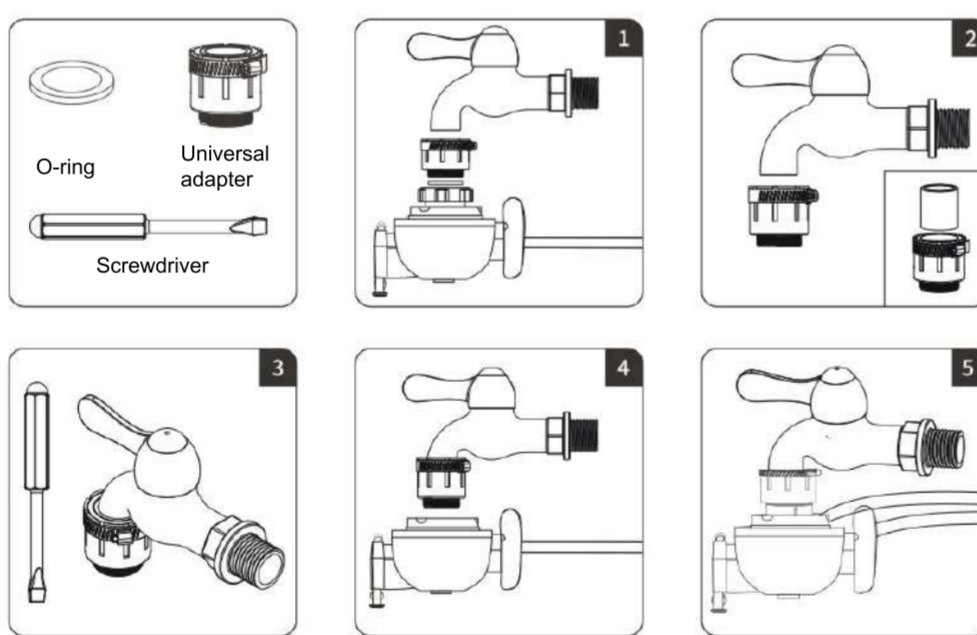


## Switch Overview



3

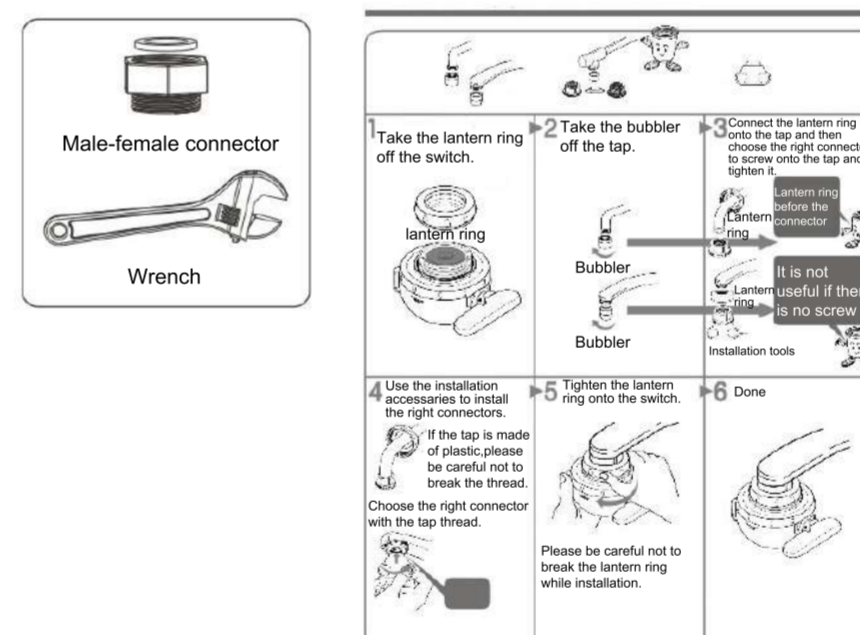
## Universal



In Installation with Universal Adapter, use screwdriver to tighten screw.

4

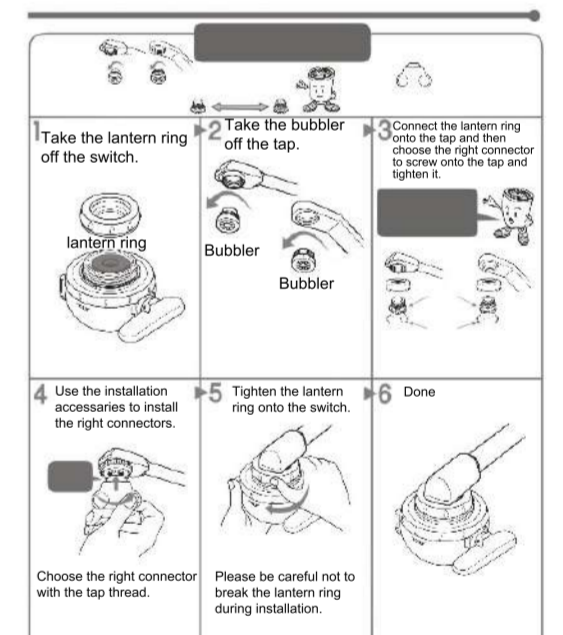
## Male-Female



1. Take off the bubbler of the male tap. Install the female connector onto the male tap, do not forget the o-ring, please use the seal tape if the tap thread is sliding.
2. Install the lantern ring of switch onto the male tap.
3. Please check for water leaks after installation.

5

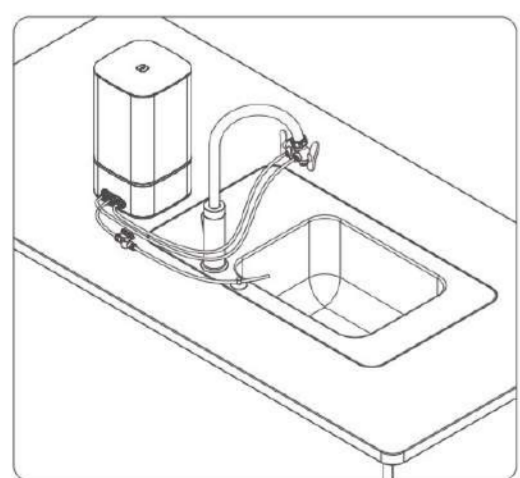
## Installation



1. Take off the bubbler of the male tap
2. Install the right connector onto the male tap. (do not forget the o-ring)
3. Please check for water leaks after installation.

6

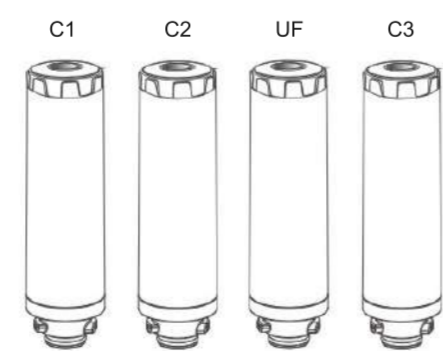
## Usage Instruction



Note:  
Turn the switch to pure water and open the flush water valve to flush the carbon dust before using your new purifier.

10

## Important



Pre-Carbon block + Carbon block + UF+ Diamond crystal carbon

Note:  
Please change all filters every 6 months.

11

## List and Specification

Name	Living Water
Model	4
Accessories	Switch, male-male connector, universal connector, male-female connector and O-ring, flush water valve, PE pipes, user manual.

Raw water type	Municipal water
Water temperature	41-113 °F
Pure water flow	≥1.2L/Min
Filtration types	4 stages

12

EcoQuest (888)664-1812

www.ecoquestpurifiers.com

13